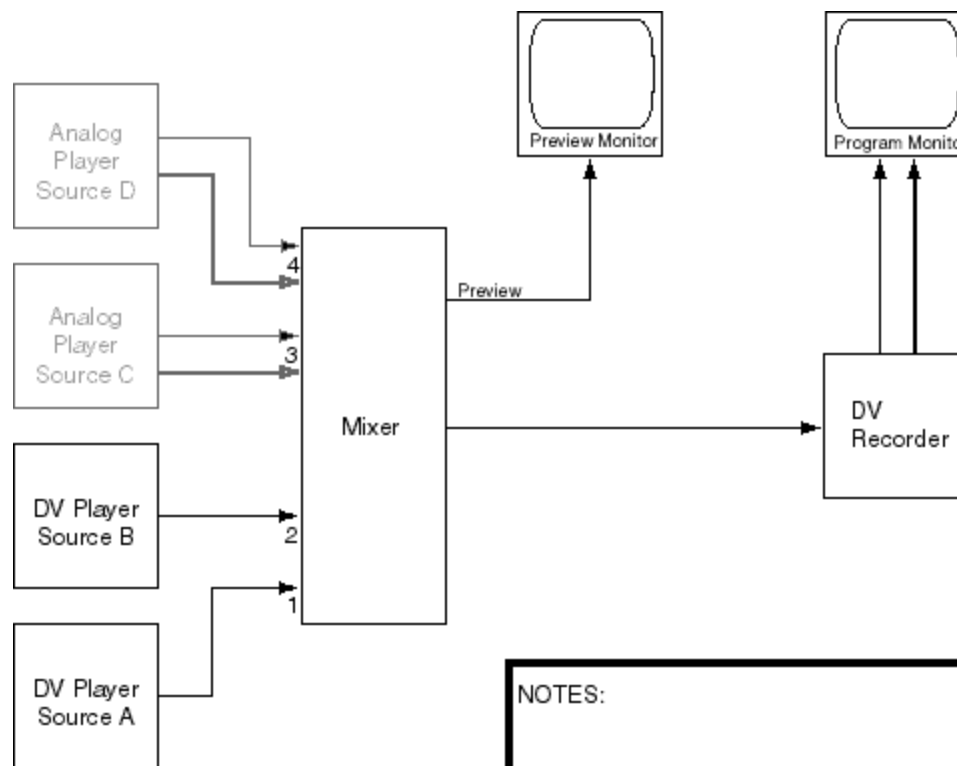

MXProDV



NOTES:

- = Video/S-Video/* Firewire
- = Audio (L/R)

The player/Source D diagram shows audio connection, this is only true if you have the MXPro/MX-DV.

* Also known as iLink and IEEE1394

Videonics Inc.
 1370 Dell Ave
 Campbell CA 95008
 HelpLine: 1-408-370-9963
 e-mail: HelpLine@videonics.com